

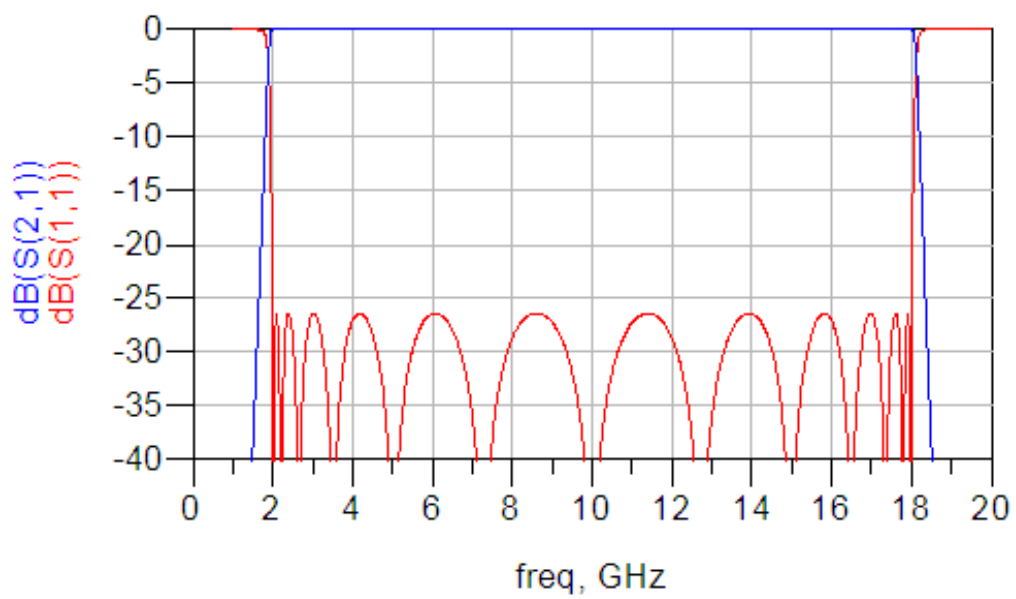
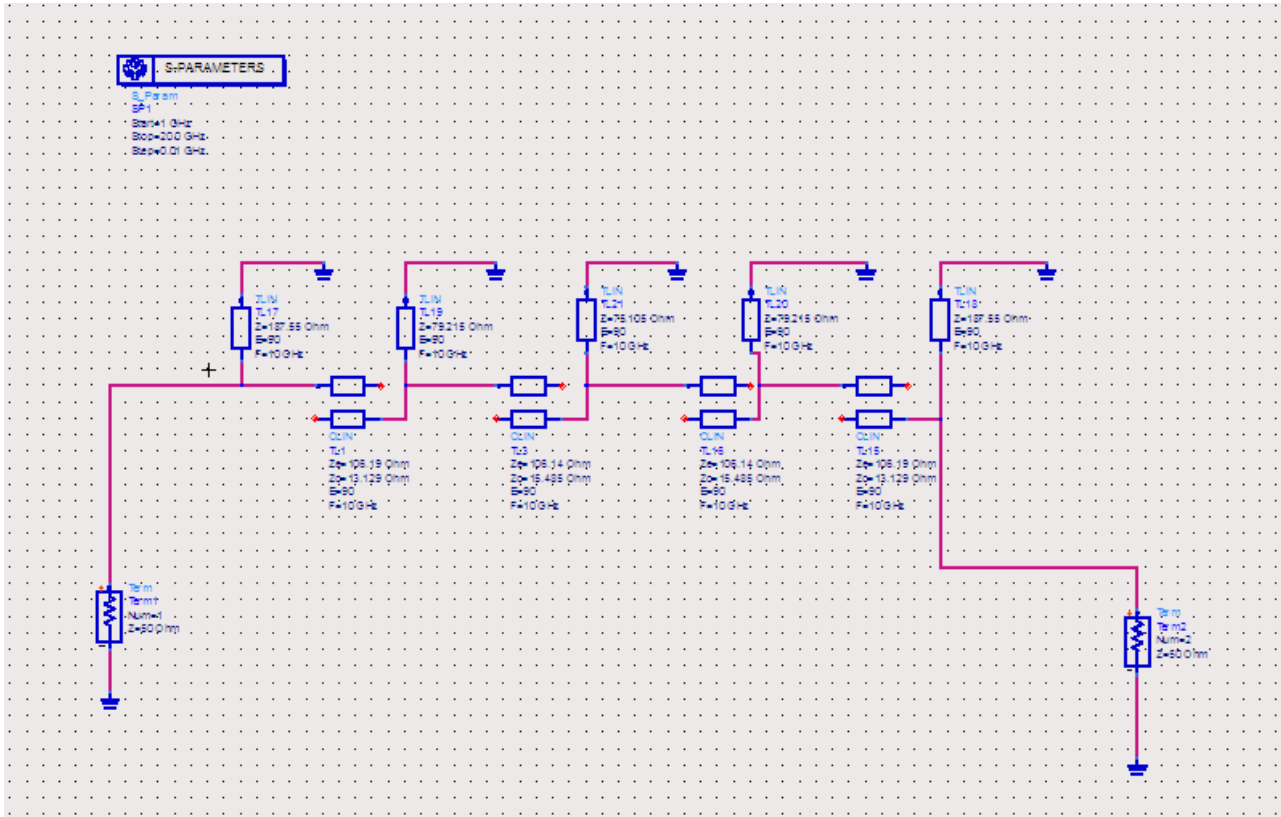
Technical Report

Multioctave microwave Filter

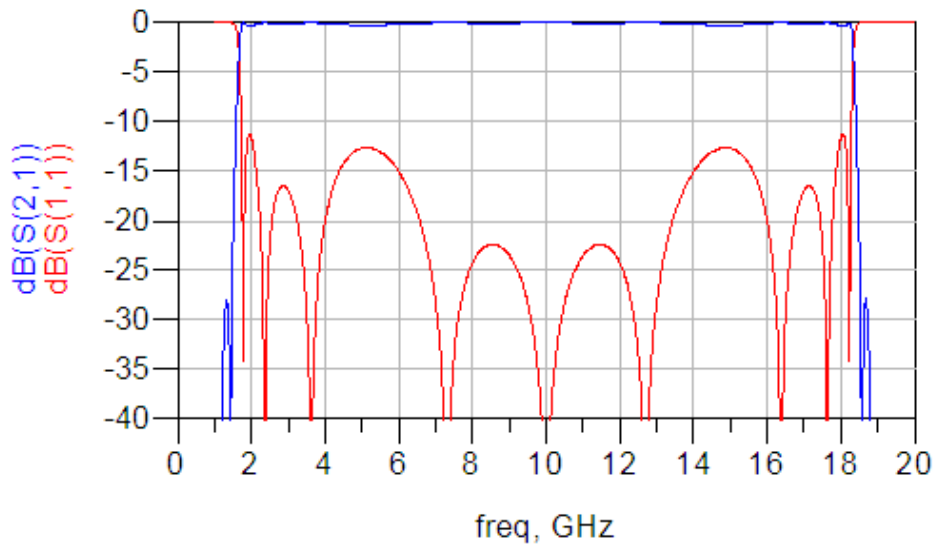
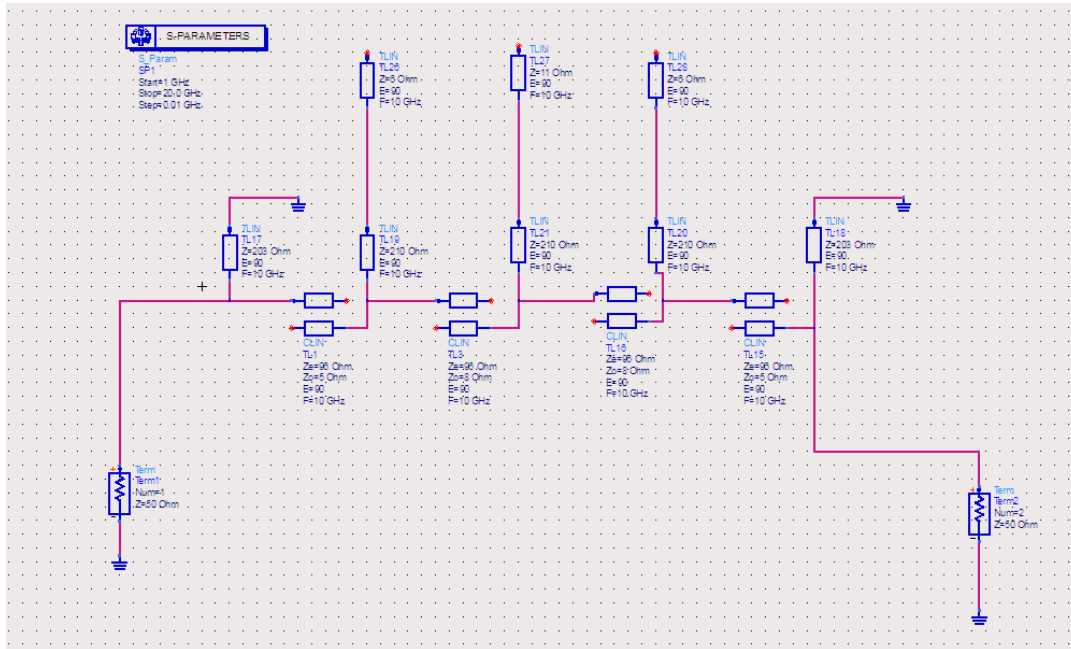
Technical Specifications

Passband:	From 2.0 GHz to 18 GHz
Passband Insertion Loss (4.0 - 18.0 GHz):	1.0 dB typical, 1.3 dB max
Passband / VSWR (2.0 - 18.0 GHz):	2:1 max
Rejection at 1.8 GHz:	10 dB min
Reiection at 1.5 GHz:	40 dB min
Dimensions	14 x 18 x 1 0 mm typical
Input Connector	K-type Female (removable, for testing)
Output Connector	K-type Female (removable, for testino)
Operatine Temperature Range:	-40'C to + 70'C
External Finish:	Silver Plate

Chebyshev filter



Elliptic Filter



Proposed Trial circuit

